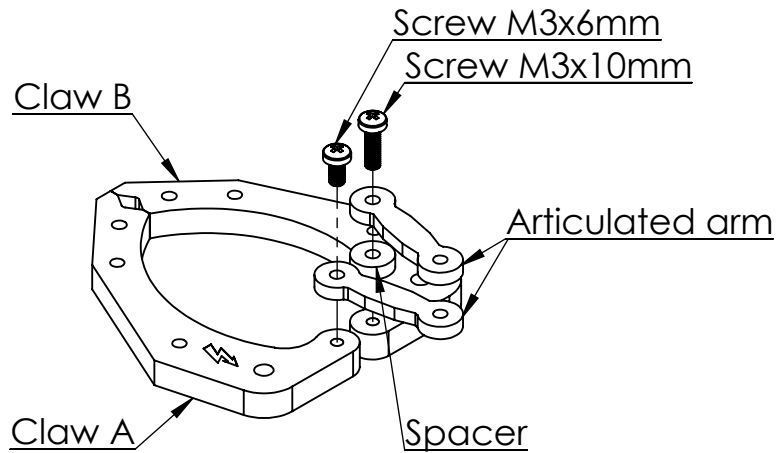
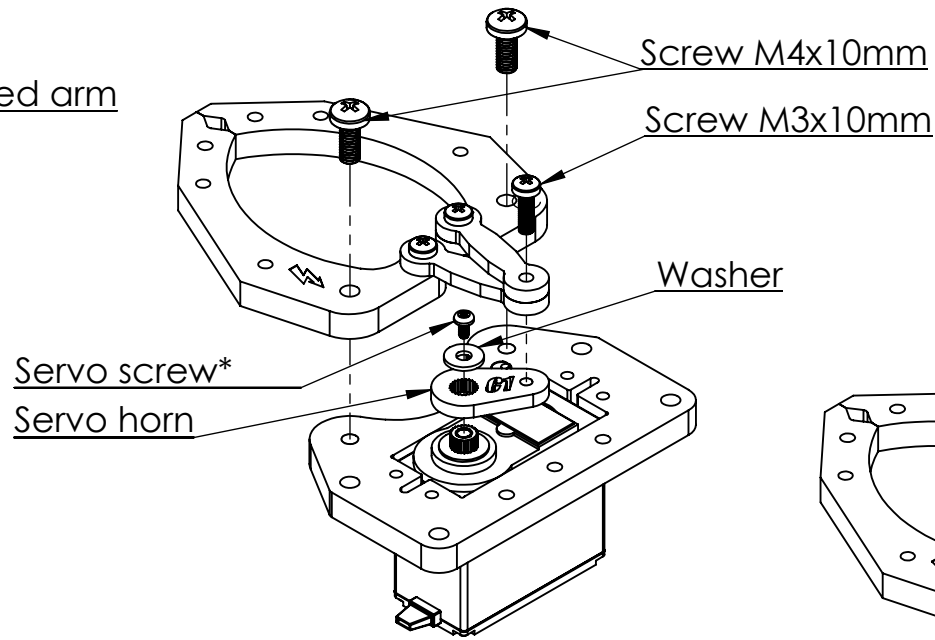


Step #01



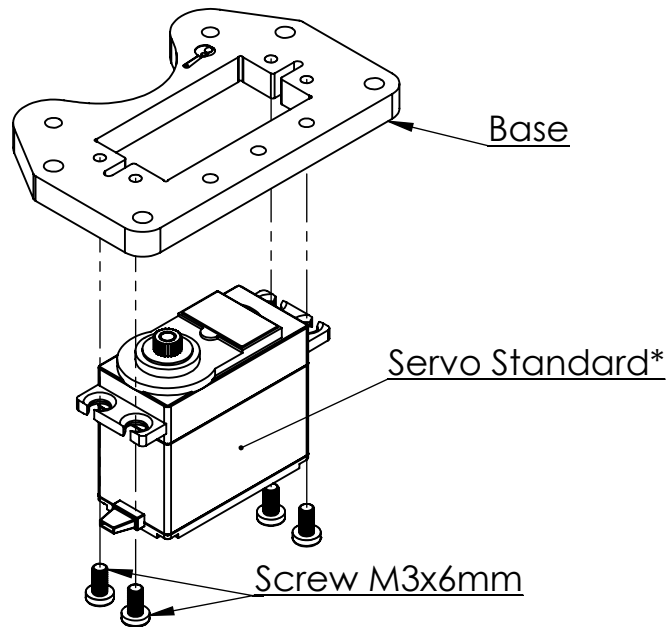
Step #03




Assembling Tips!

- During assembly do not apply excessive torque on the screws.
- Moving parts should be left with a slight slack to not load too much the Servo.

Step #02



* Servo sold separately

	All dimensions in millimeters	ROBOCORE TECHNOLOGY	
Department:	Virtual store	Robotic Claw Assembling Crow V2	
Project:	Robocore Claw		
Project Resp:	Robocore Engineering		
Data:	2017		
Amount:	001	Model:	A4
MATERIAL:	PMMA and PS	Landscape	
WEIGHT:	35 grams without Servo	SCALE 2:3	Page 1 of 1