



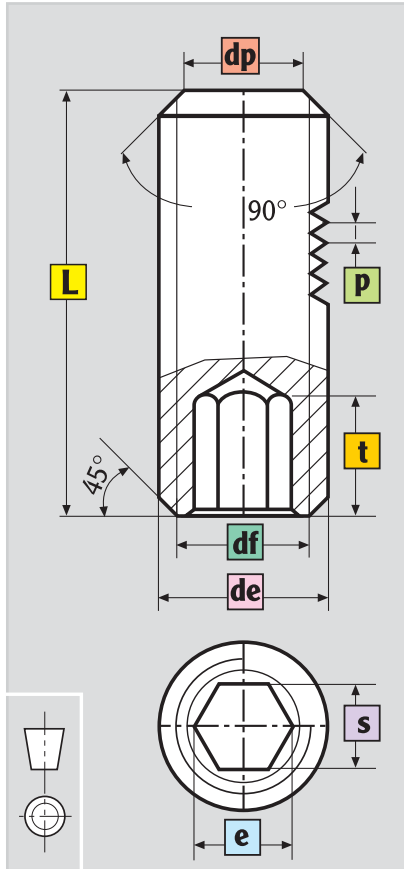
FLAT POINT STANDARD SOCKET SET SCREWS UNI/DIN EN ISO 4026 (ex UNI 5923 – DIN 913)

Flat points are generally the most widely used, since they are suitable for all surfaces and uses.

ARSER flat point socket set screws, thanks to their **accurate planarity**, result in uniform bearing surface and can be registered at the greatest seating torque several times.

SIZES (mm)

THREAD d		M 2	M 2,5	M 3	M 4	M 5	M 6	M 8	M 10	M 12	M 14	M 16	M 18	M 20	M 22	M 24	M 30	
p	Standard pitch		0,40	0,45	0,50	0,70	0,80	1,00	1,25	1,50	1,75	2,00	2,00	2,50	2,50	3,00	3,50	
de	External diameter	Max	1,98	2,48	2,98	3,97	4,97	5,97	7,97	9,96	11,96	13,96	15,96	17,95	19,95	21,95	23,95	29,94
		Min	1,88	2,38	2,87	3,83	4,82	5,79	7,76	9,73	11,70	13,68	15,68	17,62	19,62	21,62	23,57	29,52
df	Root diameter	Max	1,49	1,92	2,36	3,11	3,99	4,74	6,43	8,12	9,81	11,50	13,50	14,89	16,89	18,89	20,27	25,65
		Min	1,39	1,82	2,25	2,97	3,84	4,56	6,23	7,88	9,54	11,20	13,20	14,54	16,54	18,54	19,85	25,18
dp	Point diameter	Max	1,00	1,50	2,00	2,50	3,50	4,00	5,50	7,00	8,50	10,00	12,00	13,00	15,00	17,00	18,00	23,00
		Min	0,75	1,25	1,75	2,25	3,20	3,70	5,20	6,64	8,14	9,64	11,57	12,57	14,57	16,57	17,57	22,57
s	Hexagon size	Nom.	0,90	1,30	1,50	2,00	2,50	3,00	4,00	5,00	6,00	6,00	8,00	10,00	10,00	12,00	12,00	14,00
		Max	0,91	1,30	1,58	2,08	2,58	3,08	4,09	5,14	6,14	6,14	8,17	10,17	10,17	12,21	12,21	14,14
		Min	0,88	1,27	1,52	2,02	2,52	3,02	4,02	5,02	6,02	6,02	8,02	10,03	10,02	12,03	12,03	14,03
e	Hexagon diagonal	Min	1,01	1,45	1,73	2,30	2,87	3,44	4,58	5,72	6,86	6,86	9,14	11,42	11,42	13,71	13,71	16,20
t	Minimum socket depth (*)	Standard	1,70	2,00	2,00	2,50	3,00	3,50	5,00	6,00	8,00	9,00	10,00	11,00	12,00	13,50	15,00	18,00
		Reduced	0,80	1,20	1,20	1,50	2,00	2,00	3,00	4,00	4,80	5,60	6,40	7,20	8,00	9,00	10,00	13,00



REDUCED SOCKET DEPTH

SIZES ABOVE THE RED LINE

As regards sizes of length equal to the diameter, ARSER obtains the depths of reduced sockets of values greater than those in the rule. As regards lengths shorter than the diameter, the socket depth is reduced proportionally.

(*)

STANDARD SOCKET DEPTH

SIZES UNDER THE RED LINE

L	LENGTH				M 2	M 2,5	M 3	M 4	M 5	M 6	M 8	M 10	M 12	M 14	M 16	M 18	M 20	M 22	M 24	M 30	
	Nom.	Tol.	min	max																	
2			1,80	2,20																	
2,5	± 0,20		2,30	2,70																	
3			2,80	3,20																	
4			3,76	4,24																	
5	± 0,24		4,76	5,24																	
6			5,76	6,24																	
7			6,71	7,29																	
8	± 0,29		7,71	8,29																	
10			9,71	10,29																	
12			11,65	12,35																	
14			13,65	14,35																	
15	± 0,35		14,65	15,35																	
16			15,65	16,35																	
18			17,65	18,35																	
20			19,58	20,42																	
22			21,58	22,42																	
25	± 0,42		24,58	25,42																	
30			29,58	30,42																	
35			34,50	35,50																	
40			39,50	40,50																	
45	± 0,50		44,50	45,50																	
50			49,50	50,50																	
55			54,40	55,60																	
60			59,40	60,60																	
65			64,40	65,60																	
70	± 0,60		69,40	70,60																	
75			74,40	75,60																	
80			79,40	80,60																	
85			84,30	85,70																	
90			89,30	90,70																	
95	± 0,70		94,30	95,70																	
100			99,30	100,70																	

SOCKET SET SCREWS (ISO)

SOCKET SET SCREWS (NON ISO)

THE TABLE ABOVE SHOWS THE ARSER PRODUCTION RANGE

Sizes in green fields are NOT envisaged by ISO. They may require a minimum production batch.