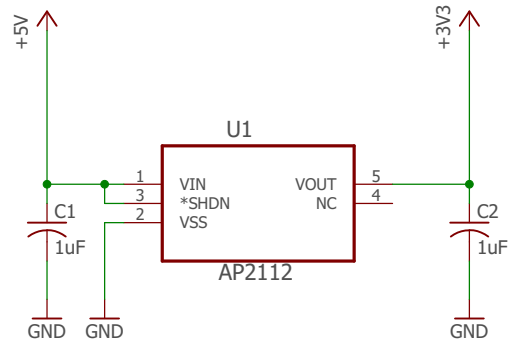
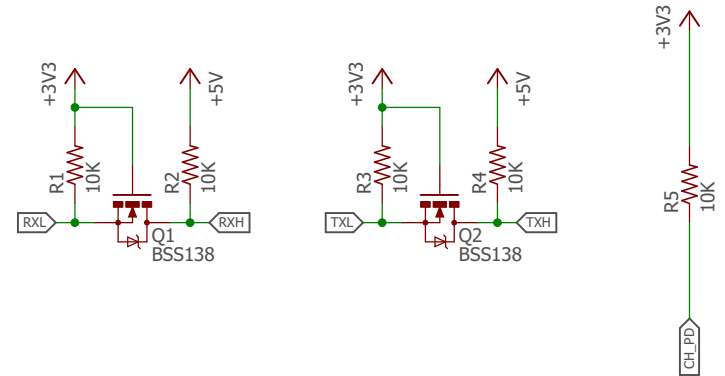


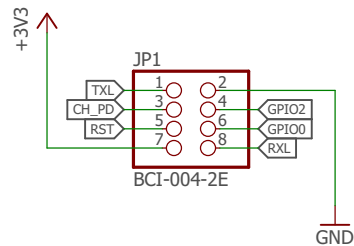
Power



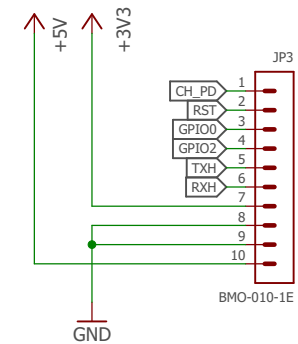
Level Shifter & Pull Up Resistor



ESP8266 Connector



Header



Released under the Creative Commons Attribution Share-Alike 4.0 License
<https://creativecommons.org/licenses/by-sa/4.0/>

Title: ESP826_Adapter_v1.0

Made with ♥ by RoboCore

REV: v1.0

Date: 26-Oct-17 2:36 PM

Sheet: 1/1