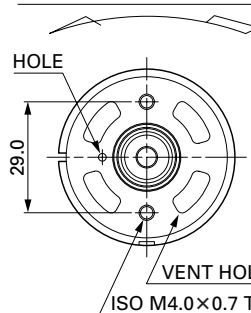


Typical Applications **Cordless Power Tools : Drill & Screwdriver / Cordless Garden Tool**
Toys and Models : Ride-on Toy



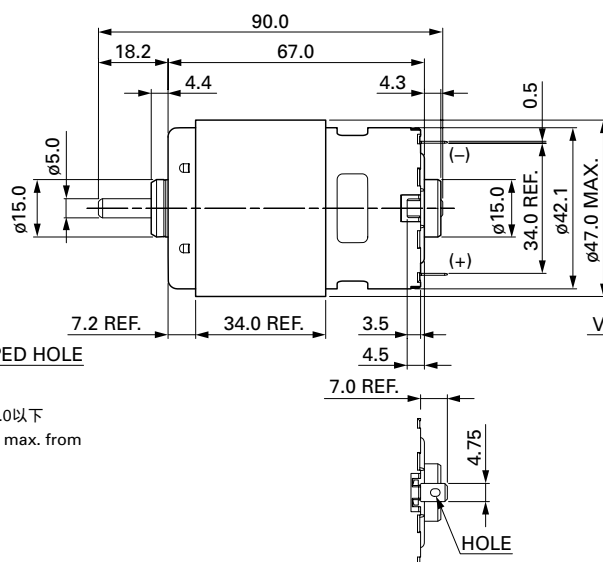
MODEL	VOLTAGE		NO LOAD		AT MAXIMUM EFFICIENCY				STALL			
	OPERATING RANGE	NOMINAL	SPEED	CURRENT	SPEED	CURRENT	TORQUE		OUTPUT	TORQUE		CURRENT
			r/min	A	r/min	A	mN-m	g-cm	W	mN-m	g-cm	A
RS-775VC-8015	6 ~ 20	16.8V CONSTANT	18000	2.60	15630	17.1	135	1375	220	1024	10450	113
RS-775WC-8514	6 ~ 20	18V CONSTANT	19500	2.70	17040	18.7	153	1560	273	1215	12400	130

DIRECTION OF ROTATION



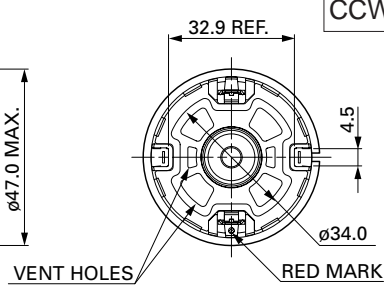
ISO M4.0×0.7 TAPPED HOLE
2 PLACES

取付けネジはモータケース面より5.0以下
Usable machine screw length 5.0 max. from motor mounting surface.



UNIT: MILLIMETERS

CCW(+)



WEIGHT: 340g (APPROX)

RS-775VC-8015

16.8V

RS-775WC-8514

18.0V

