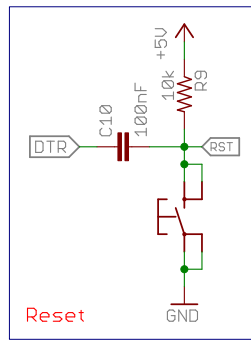
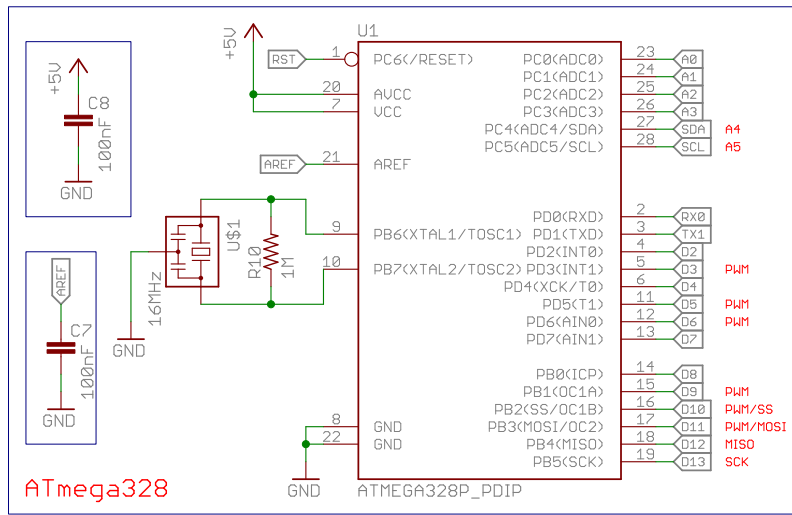


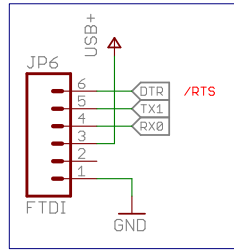
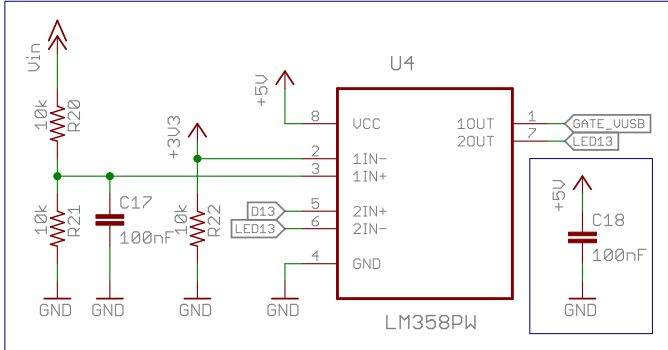
Power



Reset

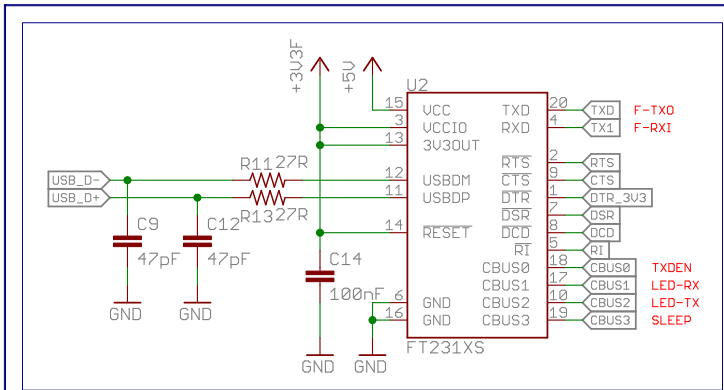
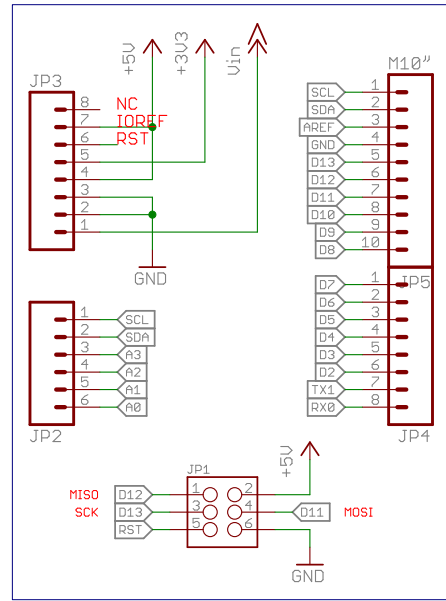


ATmega328

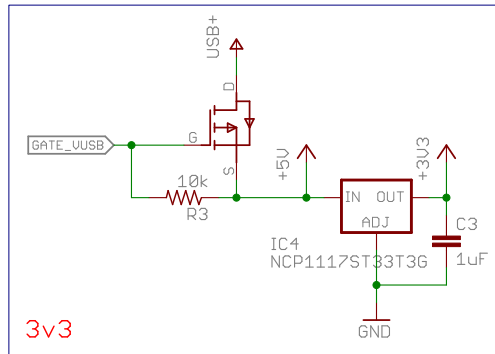
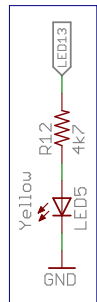
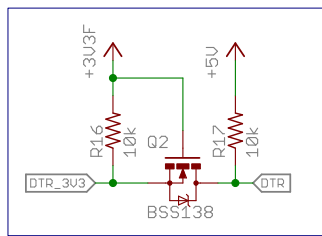
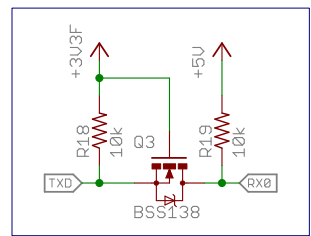
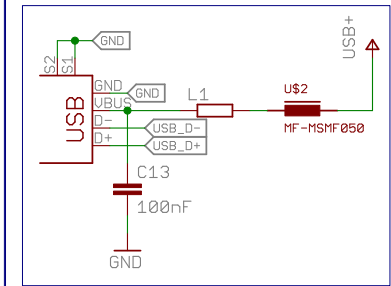
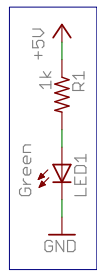
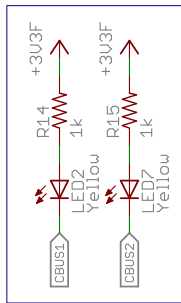
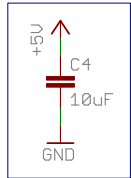


RoboCore
Blackboard v1.1

19/09/17



FTDI



3v3

Released under the Creative Commons Attribution Share-Alike 4.0 License
<https://creativecommons.org/licenses/by-sa/4.0/legalcode>
 Design by:
 Original desing by Arduino team;
 Based on Arduino Uno and Arduino 2009 hardware;
 BlackBoard by RoboCore.